

# AS-6M30

## 305W~335W

### MONOCRYSTALLINE MODULE

#### ADVANCED PERFORMANCE & PROVEN ADVANTAGES

- High module conversion efficiency up to 20.14% by using Passivated Emmitter Rear Contact (PERC) technology.
- Low degradation and excellent performance under high temperature and low light conditions.
- Robust aluminum frame ensures the modules to withstand wind loads up to 3600Pa and snow loads up to 5400Pa.
- High reliability against extreme environmental conditions (passing salt mist, ammonia and hail tests).
- Potential induced degradation (PID) resistance.

#### CERTIFICATIONS

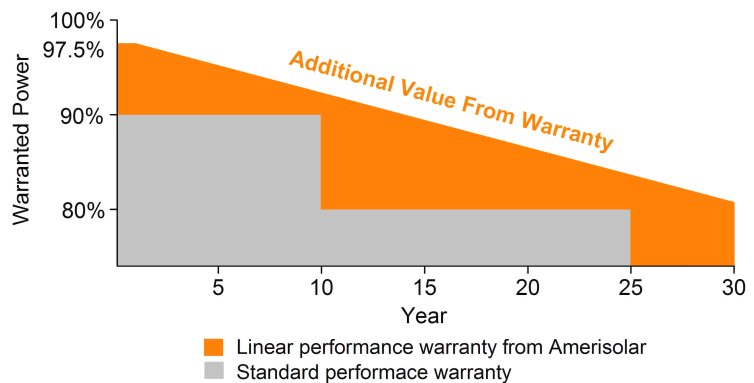
- IEC 61215, IEC 61730, UL 1703, IEC 62716, IEC 61701, IEC TS 62804, CE, CQC, ETL(USA), JET(Japan), J-PEC(Japan), KS(South Korea), BIS(India), MCS(UK), CEC(Australia), CSI Eligible(CA-USA), Israel Electric(Israel), InMetro(Brazil), TSE(Turkey)
- ISO 9001:2015: Quality management system
- ISO 14001:2015: Environmental management system
- ISO 45001:2018: Occupational health and safety management system

#### SPECIAL WARRANTY

- 20 years product warranty
- 30 years linear power output warranty



**Passionately**  
**committed to**  
**delivering innovative**  
**energy solution**



## ELECTRICAL CHARACTERISTICS AT STC

|                                       |   |       |       |        |        |        |        |
|---------------------------------------|---|-------|-------|--------|--------|--------|--------|
| Maximum Power ( $P_{max}$ )           | 305W  | 310W  | 315W  | 320W   | 325W   | 330W   | 335W   |
| Open Circuit Voltage ( $V_{OC}$ )     | 39.8V   | 40.0V | 40.2V | 40.4V  | 40.6V  | 40.8V  | 41.0V  |
| Short Circuit Current ( $I_{SC}$ )    | 9.79A   | 9.88A | 9.97A | 10.06A | 10.15A | 10.25A | 10.35A |
| Voltage at Maximum Power ( $V_{mp}$ ) | 32.6V   | 32.8V | 33.0V | 33.2V  | 33.4V  | 33.6V  | 33.8V  |
| Current at Maximum Power ( $I_{mp}$ ) | 9.36A   | 9.46A | 9.55A | 9.64A  | 9.74A  | 9.83A  | 9.92A  |
| Module Efficiency (%)                 | 18.34   | 18.64 | 18.94 | 19.24  | 19.54  | 19.84  | 20.14  |
| Operating Temperature                 | -40°C to +85°C                                      |       |       |        |        |        |        |
| Maximum System Voltage                | 1000V DC/1500V DC                                   |       |       |        |        |        |        |
| Fire Resistance Rating                | Type 1(in accordance with UL1703)/Class C(IEC61730) |       |       |        |        |        |        |
| Maximum Series Fuse Rating            | 15A   |       |       |        |        |        |        |

STC: Irradiance 1000W/m<sup>2</sup>, Cell temperature 25°C, AM1.5; Tolerance of P<sub>max</sub>: ±3%; Measurement Tolerance: ±3%

## ELECTRICAL CHARACTERISTICS AT NOCT

|                                       |       |       |       |       |       |       |       |
|---------------------------------------|-------|-------|-------|-------|-------|-------|-------|
| Maximum Power ( $P_{max}$ )           | 226W  | 230W  | 234W  | 238W  | 242W  | 246W  | 250W  |
| Open Circuit Voltage ( $V_{OC}$ )     | 36.7V | 36.9V | 37.1V | 37.3V | 37.5V | 37.7V | 37.9V |
| Short Circuit Current ( $I_{SC}$ )    | 7.93A | 8.00A | 8.08A | 8.15A | 8.22A | 8.30A | 8.38A |
| Voltage at Maximum Power ( $V_{mp}$ ) | 29.8V | 30.0V | 30.2V | 30.4V | 30.6V | 30.8V | 31.0V |
| Current at Maximum Power ( $I_{mp}$ ) | 7.59A | 7.67A | 7.75A | 7.83A | 7.91A | 7.99A | 8.07A |

NOCT: Irradiance 800W/m<sup>2</sup>, Ambient temperature 20°C, Wind Speed 1 m/s

## MECHANICAL CHARACTERISTICS

|                   |   |
|-------------------|---|
| Cell type         | Monocrystalline 158.75x158.75mm                                   |
| Number of cells   | 60 (6x10)   |
| Module dimensions | 1660x1002x35mm (65.35x39.45x1.38inches)                           |
| Weight            | 18kg (39.7lbs)  |
| Front cover       | 3.2mm (0.13inches) tempered glass with AR coating                 |
| Frame             | Anodized aluminum alloy   |
| Junction box      | IP67, 3 diodes  |
| Cable             | 4mm <sup>2</sup> (0.006inches <sup>2</sup> ), 900mm (35.43inches) |
| Connector         | MC4 or MC4 compatible   |

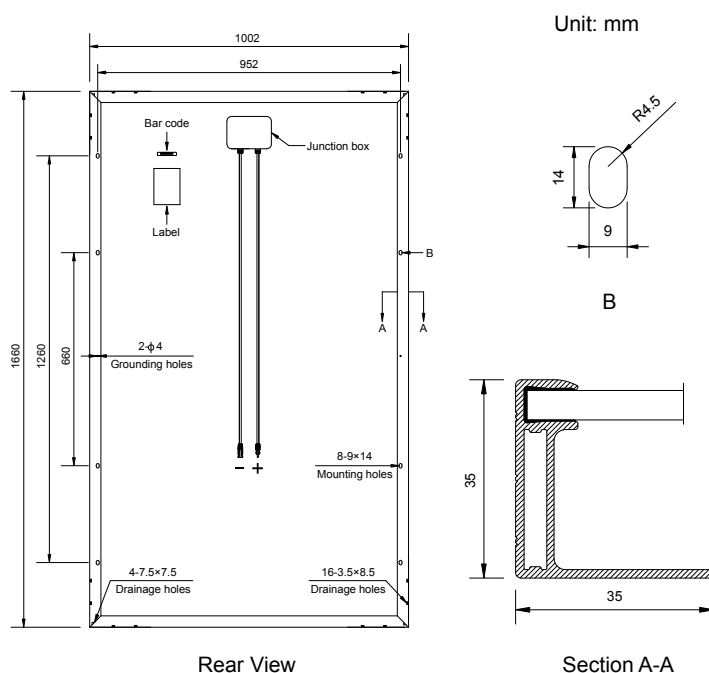
## TEMPERATURE CHARACTERISTICS

|   |           |
|---|-----------|
| Nominal Operating Cell Temperature (NOCT) | 45°C±2°C  |
| Temperature Coefficients of $P_{max}$     | -0.38%/°C |
| Temperature Coefficients of $V_{OC}$      | -0.29%/°C |
| Temperature Coefficients of $I_{SC}$      | 0.052%/°C |

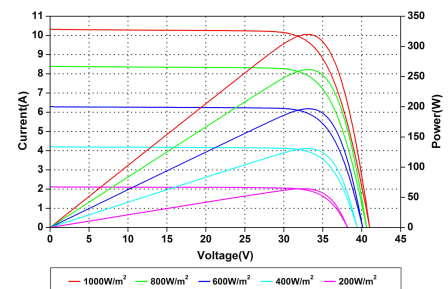
## PACKAGING

|                                   |                       |
|-----------------------------------|-----------------------|
| Standard packaging                | 31pcs/pallet          |
| Module quantity per 20' container | 372pcs                |
| Module quantity per 40' container | 868pcs(GP)/952pcs(HQ) |

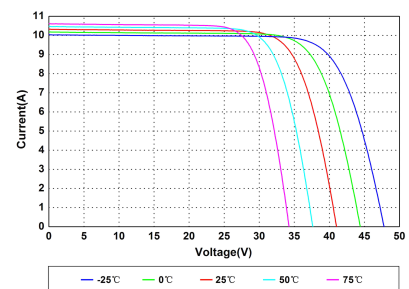
## ENGINEERING DRAWINGS



## IV CURVES



Current-Voltage and Power-Voltage Curves at Different Irradiances



Current-Voltage Curves at Different Temperatures

Specifications in this datasheet are subject to change without prior notice.